

Water Heater Parts fulfillment
1-800-821-2017

MODELS: 60G/100G/119G
SERIES: 400/401/410/450/451

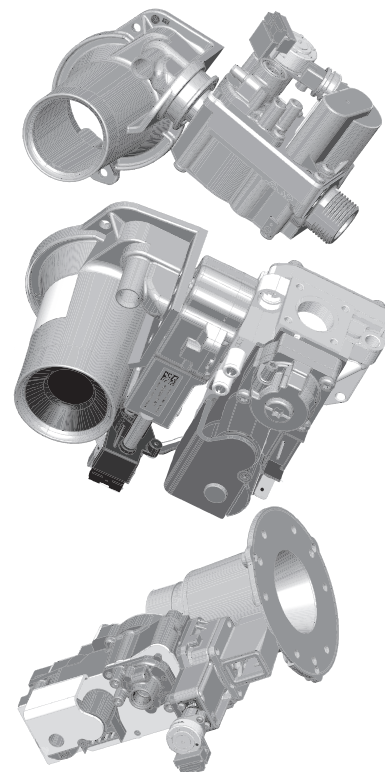
DISPLAY CONTROL ASSEMBLIES



FLEX 60/100/119 GALLON
MODELS



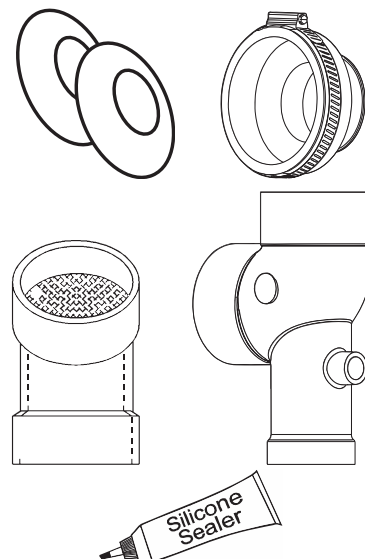
GAS VALVE ASSEMBLIES



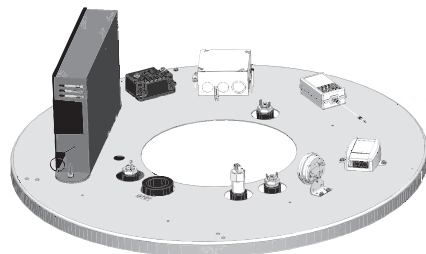
GAS VALVE/BLOWER/BURNER
ASSEMBLIES



EXHAUST ELBOW ASSEMBLY KITS
AND VENT ASSEMBLY KITS



INNER COVER CONTROL
ASSEMBLIES



CLEANOUT ASSEMBLY / TEMPERATURE-PRESSURE VALVE

Table 1. Cleanout, T&P Valve, Lower Temperature Probe, and Drain Valve Assemblies				
No.	Kit Description	60G	100G	119G
1	K,GASKET,CLEANOUT	100109686	100109686	100109686
2	K,COVER PLATE	100110656	100110656	100110656
3	K,SCREW,THREAD FORMING	100109688	100109688	100109688
4	K, T&P VALVE	100110714	100110714	100110714
5	K,PROBE,TEMP,W/SEALANT, LOWER	100383667	100383667	100383667
6	K,DRAIN VALVE,BRS,BALL,2.5"	100263911	100263911	100263911
7	K,LDM SENSOR ASSY	100305039	100305039	100305039
8	K,SWITCH,BLOCKED OUTLET	100347296	100347296	100347296

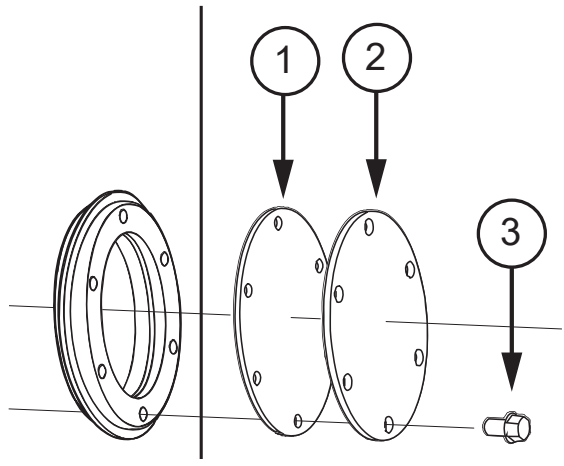


Figure 4. Cleanout Assembly

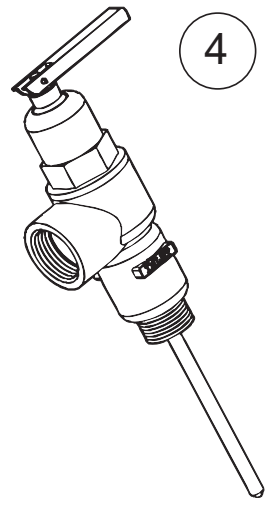


Figure 1. T & P Valve



Figure 5. Locating the T&P Valve, Lower Temperature Probe, and Drain Valve

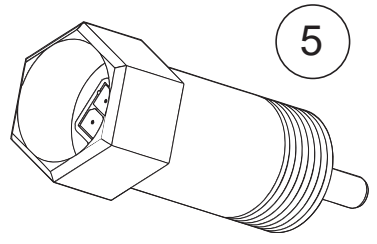


Figure 2. Lower Temperature Probe

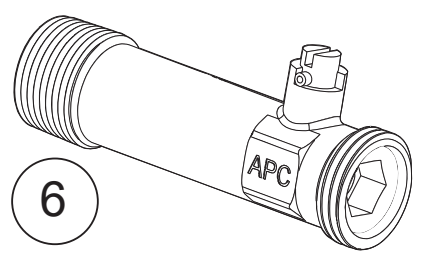


Figure 3. Drain Valve

DISPLAY CONTROL ASSEMBLIES

Table 2. Display Control Assembly				
No.	Kit Description	60G	100G	119G
1	K, MOUNT,DISPLAY BAND,BTH SERIES 400/410	100383668	100383668	100383668
2	K, FMM,KEY/HARNESS	100388119	100388119	100388119
3	K,UIM ASSEMBLY, PROGRAMMED	100360226	100360226	100360226
4	K,SWITCH,ENABLE/DISABLE,RA8	100347254	100347254	100347254
5	K, DISPLAY BEZEL,400/410	100399700	100399700	100399741
6	K, DISPLAY BAND,S400/410	100399698	100399698	100399699

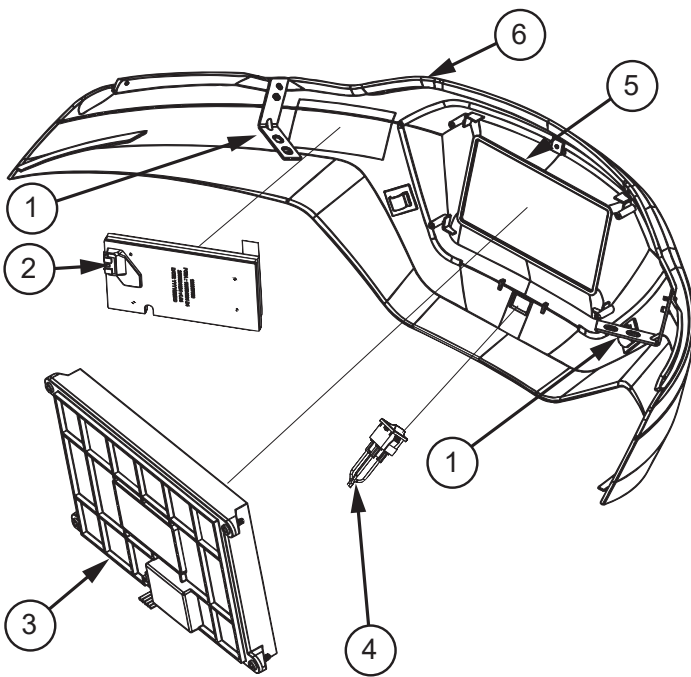


Figure 6. 60 Gallon and 100 Gallon Display Band Assembly

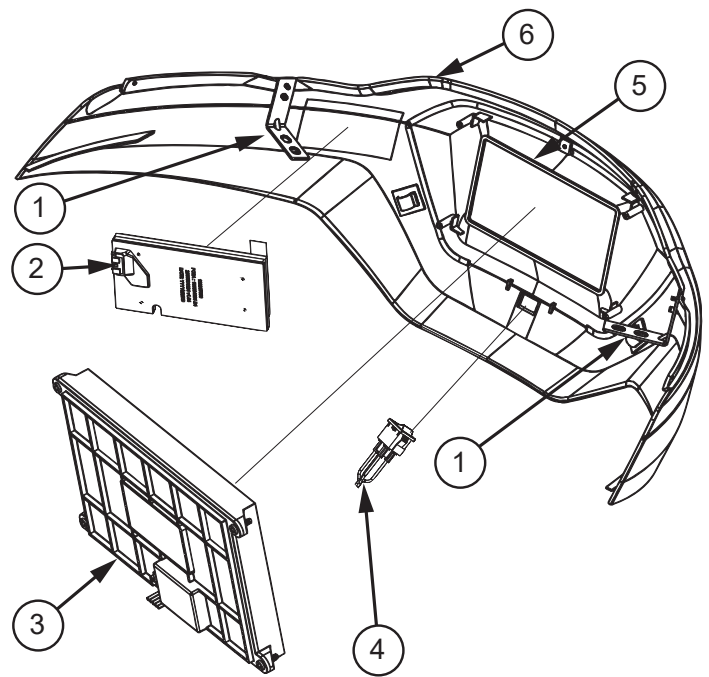


Figure 7. 119 Gallon Models Display Band Assembly

TOP COVER CONTROL ASSEMBLIES

Table 3. 60 Gallon Models Inner Cover Control Assembly		
No.	Kit Description	60G
1	K, SWITCH, BLOCKED INLET, -2.50" WC, NC, SERIES 400/410	100383670
2	K, MAIN PROBE, TEMP, W/ SEALANT, W/ CONN	100383669
3	K, CSC CONTROL BOARD	100347259
4	K, LOW VOLTAGE HARNESS ONLY*	100385865
5	K, TRC CONTROL BOARD	100347258
6	K, TRC/CSC HARNESS ONLY*	100385825
7	K, SPARK IGNITION TRANSFORMER	100271921
8	K, JUNCTION BOX ASSY, PX52, COMM	100385826
9	K, POWERED ANODE 31.5"	100111286
* Not shown		

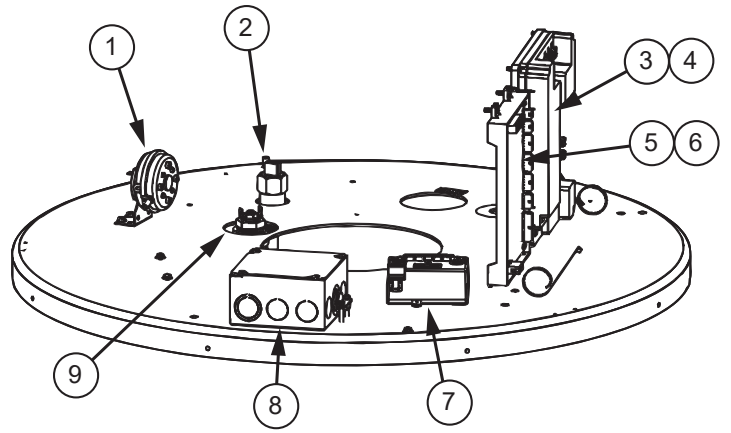


Figure 8. Inner Cover Control Assembly - 60 Gallon

Table 4. 100 Gallon Models Inner Cover Control Assembly		
No.	Kit Description	100G
1	K, SWITCH, BLOCKED INLET, -2.50" WC, NC, SERIES 400/410	100383670
2	K, POWERED ANODE 48"	100111023
3	K, MAIN PROBE, TEMP, W/ SEALANT, W/ CONN	100383669
4	K, POWERED ANODE 13.78"	100111024
5	K, CSC CONTROL BOARD	100347259
6	K, LOW VOLTAGE HARNESS ONLY*	100385865
7	K, TRC CONTROL BOARD	100347258
8	K, TRC/CSC HARNESS ONLY*	100385825
9	K, SPARK IGNITION TRANSFORMER	100271921
10	K, JUNCTION BOX ASSY W/ HARNESS*, 100 GAL	100385827
* Not shown		

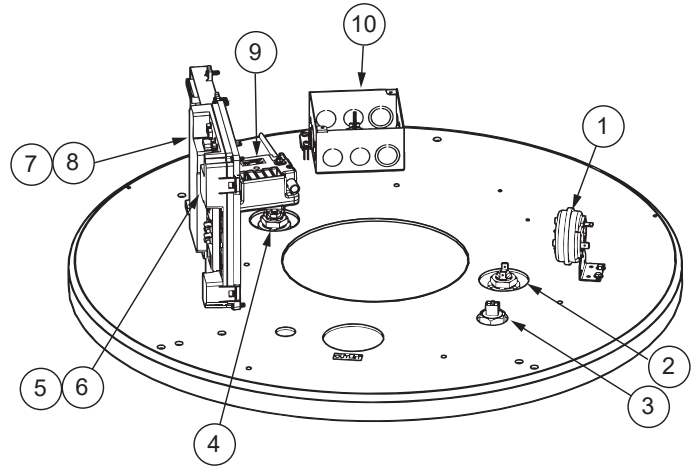


Figure 9. Inner Cover Control Assembly - 100 Gallon

Table 5. 119 Gallon Models Inner Cover Control Assembly		
No.	Kit Description	Part Number
1	K, SWITCH, BLOCKED INLET, -2.10" WC, NC, SERIES 400/410	100383691
2	K, POWERED ANODE 48"	100111023
3	K, MAIN PROBE, TEMP, W/ SEALANT, W/ CONN	100383669
4	K, POWERED ANODE 19.69"	100187890
5	K, CSC CONTROL BOARD	100347259
6	K, LOW VOLTAGE HARNESS ONLY*	100385865
7	K, TRC CONTROL BOARD	100347258
8	K, TRC/CSC HARNESS*	100385825
9	K, SPARK IGNITION TRANSFORMER	100271921
10	K, JUNCTION BOX ASSY W/ HARNESS, W/ CPAM, 119 GAL	100385829
11	K, POWERED ANODE 31.5"	100111286
12	K, POWER SUPPLY, CPAM, 119 GAL	100385830
13	K, HRNS, CPAM, TRC, 48", 119 GAL*	100385862
14	K, CONTROL, ASSY, AS PURCH, COMM, CPAM MIN	100385863
15	K, HARNESS, CPAM OUTPUT, CYCLONE LV 119 GAL*	100385861
* Not shown.		

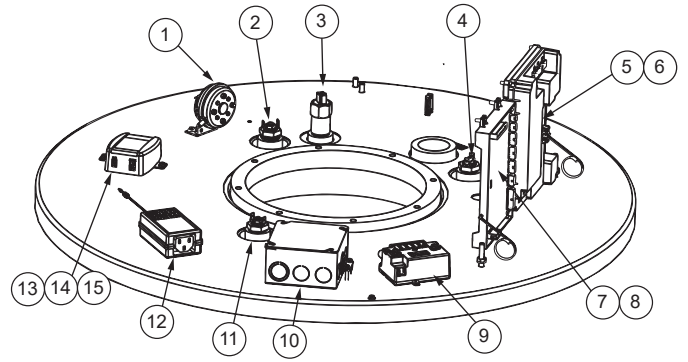


Figure 10. Inner Cover Control Assembly - 119 Gallon

GAS VALVE/BLOWER/BURNER ASSEMBLIES

Table 6. 60 Gallon Models Gas Valve/Blower/Burner Assembly		
No.	Kit Description	Part Number
1	K,NRG118 BLOWER ASSYW/O PRESSURE PORT	100347260
2	K,GASKET,BLOWER OUTLET,SILICONE	100360243
3	K,SIGHT GLASS	100110901
4	K,GASKET,SIGHT GLASS	100110902
5	K,GASKET,BURNER	100187867
6	K,BURNER,60G,2.77" DIA X 6.08L,S400/410	100360246
7	K, GASKET, SPARK IGNITER, .04" GRAPHITE	100338898
8	K, SPARK IGNITER ASSY, STRAIGHT, BURNR	100271888
9	K, IGNITION CABLE ONLY	100271890
10	K,GASKET,FLAME ROD,.56" ODX.31"ID	100338897
11	K.FLAME SENSOR ROD,6"KANTHAL	100347293
12	K,GAS VALVE/VENTURI ASSEMBLY,PX52,S400/410	100347291
13	K,S410, AIR INTAKE ASSM,BTH 60,100G,250G	100401173

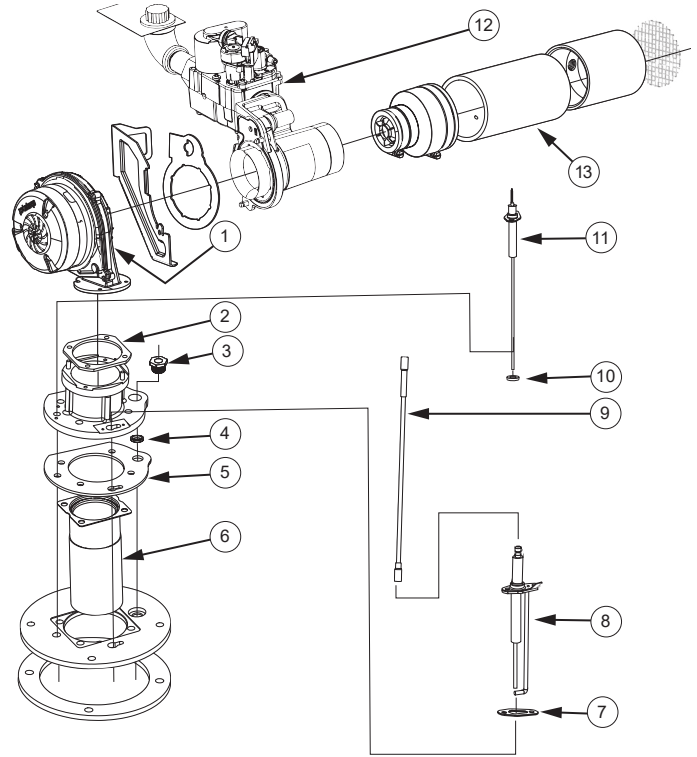


Figure 11. 60-Gallon Blower-Burner Assembly

Table 7. 100 Gallon Models Gas Valve/Blower/Burner Assembly		
No.	Kit Description	Part Number
1	K,VGR145,CVI BLOWER ASSY	100360228
2	K,GASKET,BLOWER OUTLET,SILICONE	100360243
3	K,SIGHTGLASS	100110901
4	K,GASKET,SIGHTGLASS	100110902
5	K,GASKET,BURNER	100187867
6	K,BURNER ASSEMBLY	100187866
7	K,GASKET,SPARK IGNITER,.04" GRAPHITE	100338898
8	K,SPARK IGNITER ASSY,STRAIGHT,BURNER	100271888
9	K, IGNITION CABLE ONLY	100271890
10	K,GASKET,FLAME ROD,.56" ODX.31" ID	100338897
11	K.FLAME SENSOR ROD,6"KANTHAL	100347293
12	K,GAS VALVE/VENTURI/THROTTLE ASSEMBLY,VK	100387942
13	K,S410, AIR INTAKE ASSM,BTH 60,100G,250G	100401173

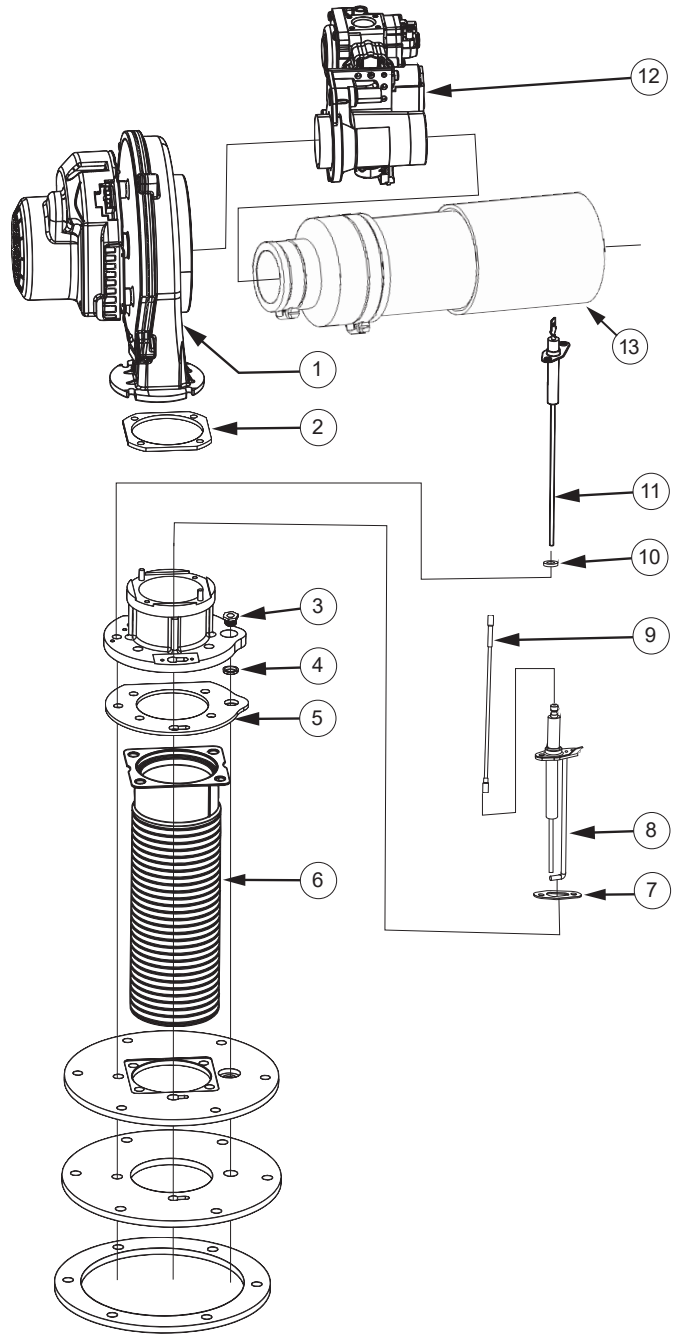


Figure 12. 100-Gallon Gas Valve/Blower/Burner Assembly

Table 8. 119 Gallon Models Gas Valve/Blower/Burner Assembly		
No.	Kit Description	Part Number
1	K,VGR145,STD BLOWER ASSY	100360227
2	K,GASKET,BLOWER OUTLET,SILICONE	100360243
3	K,SIGHT GLASS	100110901
4	K,GASKET,SIGHT GLASS	100110902
5	K,GASKET,BURNER	100187867
6	K,BURNER,119G	100360245
7	K,GASKET,SPARK IGNITER,.04" GRAPHITE	100338898
8	K,SPARK IGNITER ASSY,ANGLED	100360209
9	K, IGNITION CABLE ONLY	100271890
10	K,GASKET,FLAME ROD,.56" ODX.31" ID	100338897
11	K,FLAME SENSOR ROD,5.16" KANTHAL	100360244
12	K,GAS VALVE/VENTURI/THROTTLE ASSY,RAMBLR	100387943
13	K,S410, AIR INTAKE ASSM,BTH 119G,220G	100401174

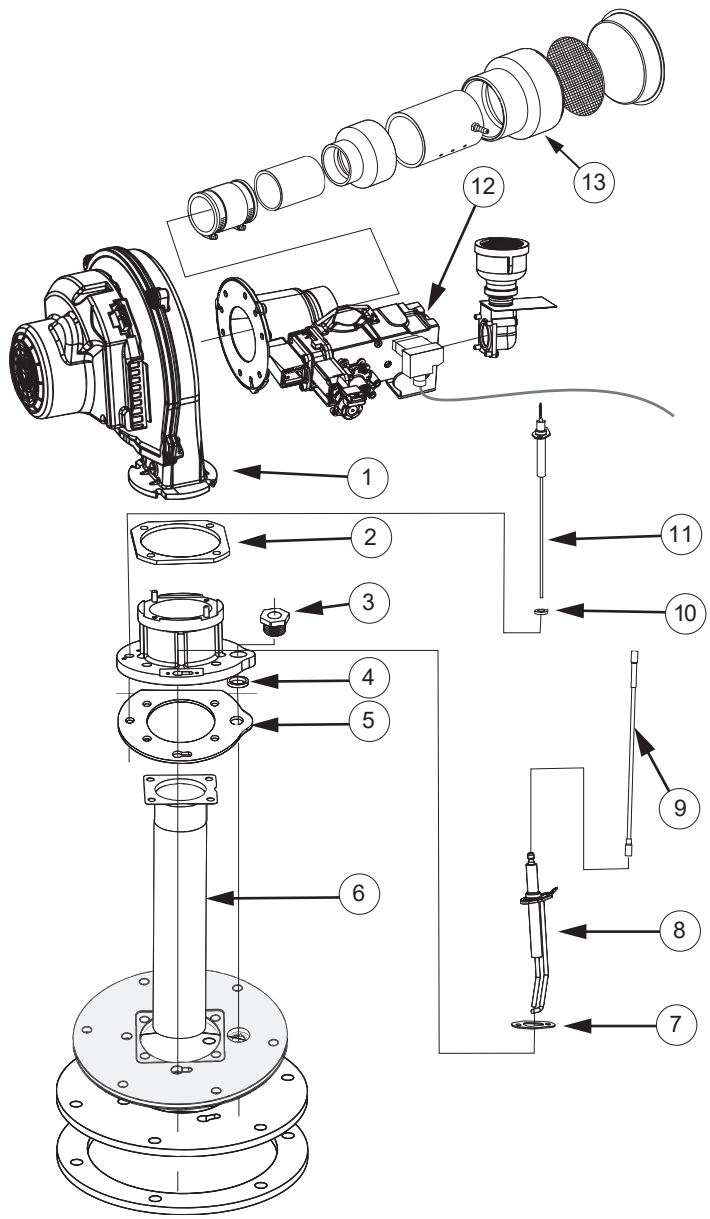


Figure 13. 119 Gallon Blower-Burner Assembly

3" EXHAUST CONNECTOR AND VENT KIT ASSEMBLIES

Table 9. 3" Exhaust Connector and Vent Kit Assemblies for 60 and 100 Gallon Models			
No.	Kit Description	60G	100G
Exhaust Elbow and Fittings			
1	Exhaust Connector (2.50" x 4.00")	100110947	100110947
2	Exhaust /Condensate Elbow Assembly	100187862	100187862
3	Condensate Trap Gasket	100338896	100338896
Vent Kit Parts			
4	Intake/Exhaust Screen	100110830	100110830
5	PVC 45 Degree Elbow w/Screen (PVC)	100108686	100108686
6	PVC 45 Degree Elbow (Canada, ULC S636)	100055670	100055670
7	Wall Plate	100109820	100109820
8	Silicone	100109821	100109821

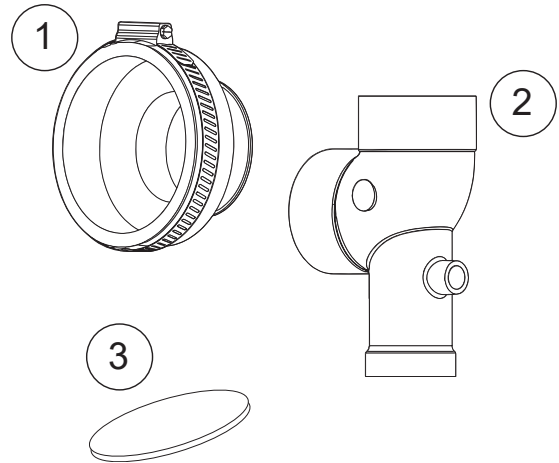


Figure 14. 3" Exhaust Connector Kits

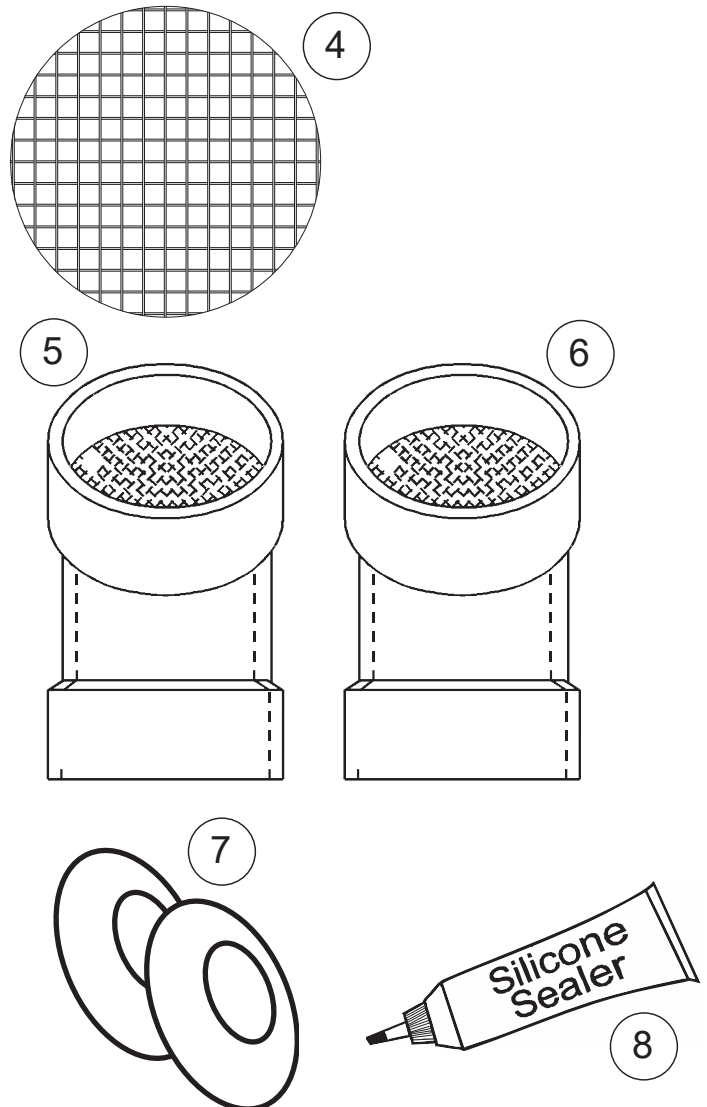


Figure 15. 3" Vent Kits

4" EXHAUST CONNECTOR AND VENT KIT ASSEMBLIES

Table 10. 4" Exhaust Connector and Vent Kit Assemblies for 119 Gallon Models		
No.	Kit Description	Part Number
Exhaust Elbow and Fittings		
1	Connector, Exhaust	100110908
2	Exhaust/Condensate Elbow Assembly	100187863
3	Condensate Trap Gasket	100338896
Vent Kit Parts		
4	Intake/Exhaust Vent Terminal*	100110909
5	Wall Plates (2 required)	100110910
6	Silicone Sealer, 2 oz. tube	100109821
7	Exhaust Vent Terminal (Canada)*	100111103
*Not shown.		

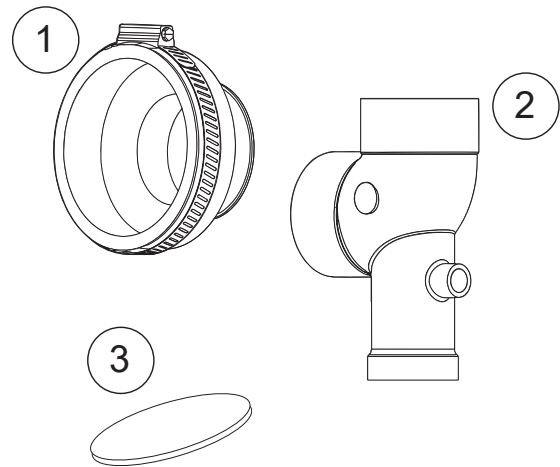


Figure 16. 4" Exhaust Connector Kits

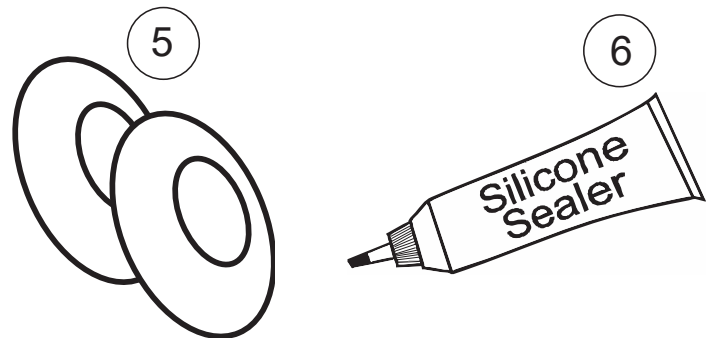


Figure 17. 4" Vent Kits

OPTIONAL VENT KIT ASSEMBLIES

Table 11. Optional Vent Kit Assemblies		
No.	Kit Description	Part Number
1	K, 2 INCH, VENT TERMINAL	100386033
2	K, VENT TERMINATION, LOW PROFILE, 2"	100187903
3	KIT, CONCENTRIC VENT, ULCS636, 2	100112869
4	KIT, CONCENTRIC VENT, ULC COMPLIANT, 3"	100111100
5	KIT, VENT TERMINATION, LOW PROFILE, 3"	100187887
6	KIT, VENT TERMINATION, LOW PROFILE, 4"	100187888
7	KIT, CONCENTRIC VENT, 6"	100113124
8	K, VENT TERMINAL, 6 INCH	100111626
9	KIT, VENT TERMINATION, LOW PROFILE, 6"	100187889
10	Silicone	100109821
11	Wall Plate	100109820

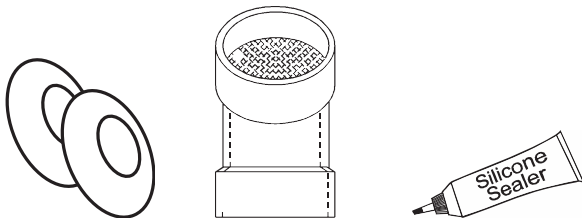


Figure 18. Optional Vent Kits

OPTION KIT ASSEMBLIES

Table 12. Option Kit Assemblies		
No.	Kit Description	Part Number
1	KIT, BMS	100378810
2	KIT, NEUTRALIZER, 100-300K BTU, CN2-300C	100289339
3	KIT, NEUTRALIZER, 400-500K BTU, CN4-850	100374577

